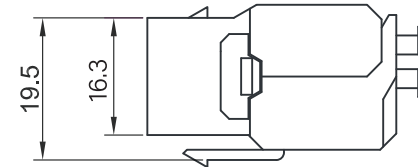
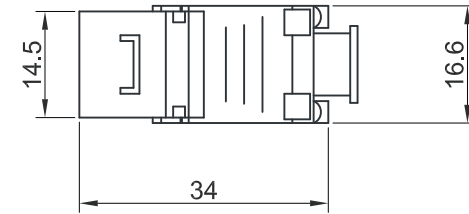
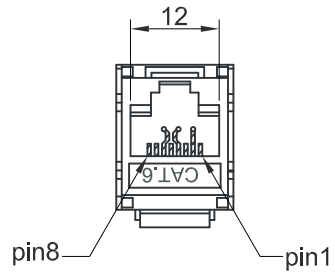
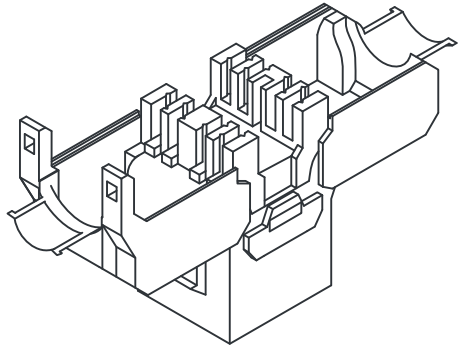
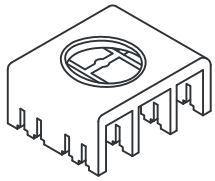


| | | | |
|-----|------|--------------|-------|
| REV | DATE | MODIFICATION | DRAWN |
| | | | |



NOTES:

ELECTRICAL:

1. VOLTAGE RATING : 125 VAC RMS
2. CURRENT RATING : 1.5 AMP
3. CONTACT RESISTANCE : 100 MILLIOHMS MAX
4. INSULATION RESISTANCE: 1000 MEGOHMS MIN @ 500 VDC
5. DIELECTRIC STRENGTH : 750 VAC RMS 60Hz,1MIN
6. C6 PERMANENT LINK : CONFORM TO ANSI/TIA/EIA-568 B.2-1

ENVIRONMENTAL:

1. STORAGE : -40° TO +70°
2. OPERATION: -10° TO +60°

MATES WITH MODULAR PLUG CONFORMING TO FCC PART 68, SUBPART F.

MECHANICAL:

- 1.HOUSING MATERIAL : PC PA
- 2.INSERT MATERIAL : ABS
- 3.PCB MATERIAL : FR-4 T=1.0mm
- 4.CONTACT MATERIAL : PHOSPHOR BRONZE STAMP PIN T=0.35mm
- 5.IDC CONTACT MATERIAL: PHOSPHOR BRONZE T=0.50mm WITH TIN PLATING
- 6.RJ45 JACK LIFE : 750 TIMES MIN
- 7.IDC LIFE : 200 TIMES MIN
- 8.WIRE : AWG 22~24
- 9.TIA Cat 6 Perm. Link Test: Worst pair NEXT margin \geq 5.0dB
- 10.Petentiveness of insertion structure 50N 6015s

| | | | | |
|---|---------|----------|---------|--|
| DIMENSION IN mm (Inch) TOLERANCE UNLESS OTHERWISE SPECIFIED | | MATERIAL | DWG NO. | |
| .X±0.10 | .X°±5° | TITLE | | |
| .XX±0.05 | .XX°±2° | DRAWN | | |
| APPROVAL | CHECKED | SCALE | SHEET | |
| | | 1/1 | 1/ | |
| | | PPDJ | | |